



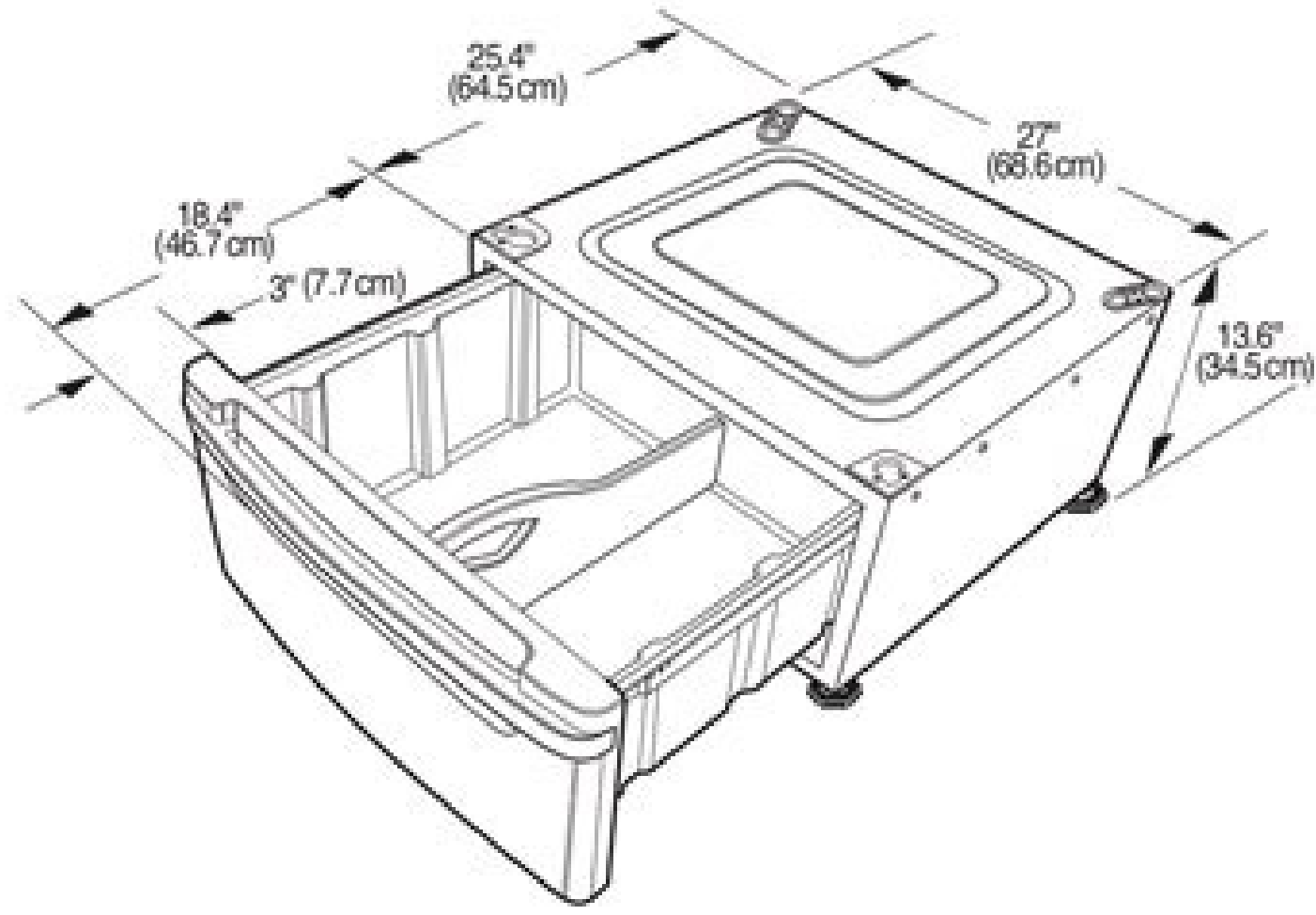


Installation Instructions

Pedestal

For washer, dryer, and combo

LG 27



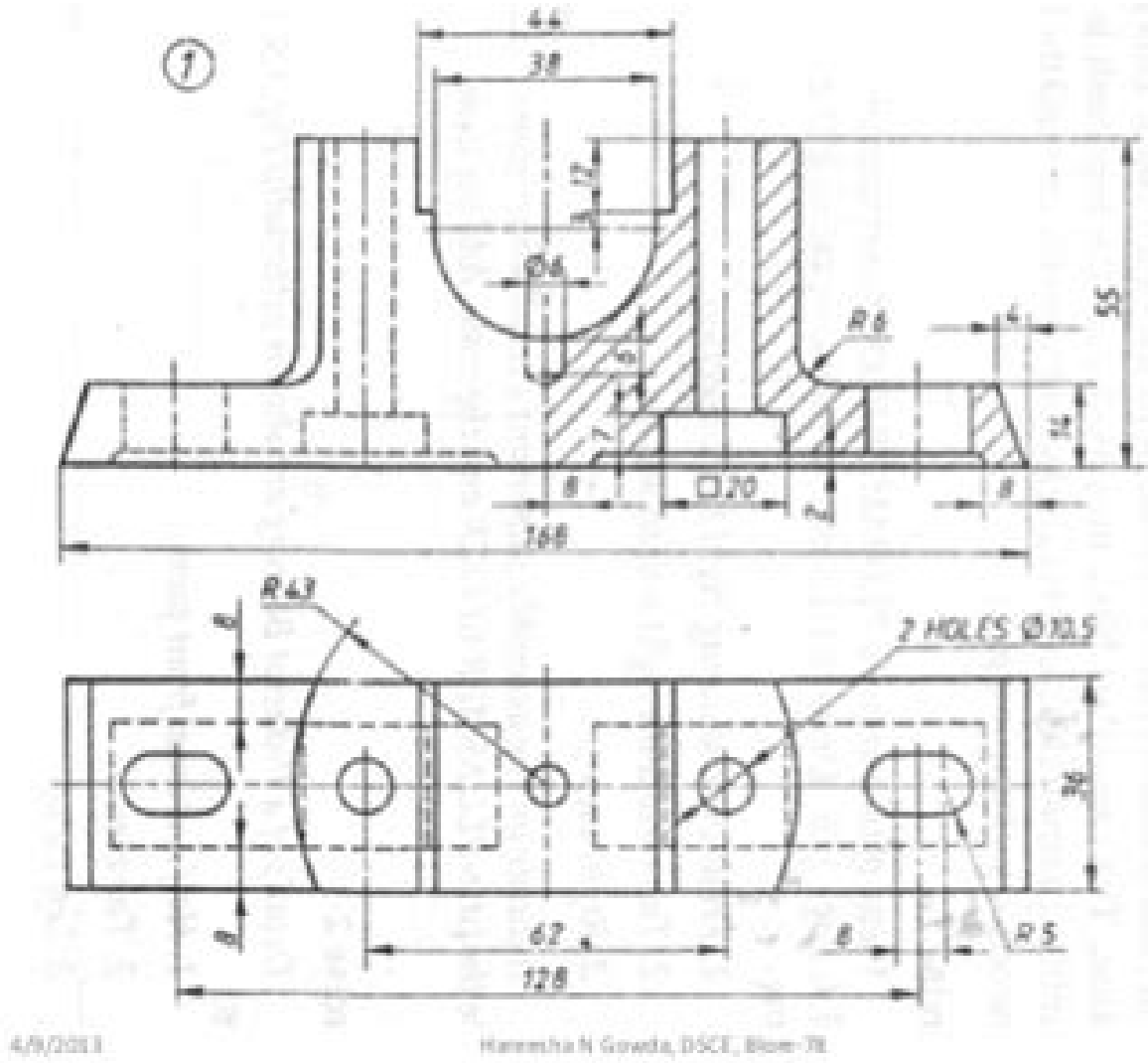
P/No. : 3828ER3020V

ENGLISH

FRANCAIS

ESPAÑOL





Pedestal bearing p208. Pedestal bearing skf. Pedestal bearing assembly. Pedestal bearing price. Pedestal bearing dimensions. Pedestal bearing catalogue pdf. Pedestal bearing types. Pedestal bearing housing.

Batu Potong Mesin & Gerinda Perkakas Potong Ampelas, Gerinda Jangka Sorong, Sigmat Perkakas Magnet Penggaris, Siku Ukur, Meteran Mikrometer Waterpas Timbangan Jarum Ukur Alat Ukur, Gauge Pelat Permukaan, Dudukan Alat Ukur Elektrik, Tester Tachometer, Pencacah Termometer, Hygrometer Optik, Lup, Mikroskop, Teleskop Dynamometer, Load Cell, Alat Ukur Torsi, Tekanan, Arus Alat Ukur Lingkungan Alat Gelas, Resin, Wadah Logam Peralatan Analisa Lingkungan Fraksiasi, Separasi, Ekstraksi, Filtrasi Pengaduk, Penghancur, Pencampur Meja, Lemari Area Bersih Bioteknologi Perlengkapan Laboratorium Penelitian Penyimpanan, Peralatan, Fasilitas Laboratorium Pemanas, Pendingin, Kotak Pendingin Uji Air, Tanah Pembersihan, Sterilisasi, Pembersih, Sanitasi, Pembuangan Pemurnian Air, Produk Terkait Alat Ukur; Dispenser Pipet, Suntikan Otomotif, Truk & Sepeda Motor Oli, Bahan Kimia, Perbaikan Cuci, Perawatan Mobil Body Repair, Pengecatan Aksesoris Otomotif Perkakas, Penyimpanan Perkakas Listrik, Pneumatik, Hidrolik Produk Transportasi, Perkakas Garasi Ban, Bagian Kaki Mobil Onderdil Mobil Komponen Listrik, Aki Mobil Produk Truk Onderdil, Aksesoris Motor Aksesoris Sepeda Bracket used to provide support to rotating shafts An early pillow-block with a whitmetal plain bearing A pillow block bearing (or plummer block) is a pedestal used to provide support for a rotating shaft with the help of compatible bearings and various accessories. The assembly consists of a mounting block which houses a bearing.[1] The block is mounted to a foundation and a shaft is inserted allowing the inner part of the bearing / shaft to rotate.[1] The inside of the bearing is typically 0.001 inches (0.025 mm) larger than the shaft to ensure a tight fit.[2] Set screws, locking collars, or set collars are commonly used to secure the shaft.[2] Housing material for a pillow block is typically made of cast iron[1] or cast steel. Typical Plummer Block Selection A pillow block usually refers to a housing with an included anti-friction bearing, wherein the mounted shaft is in a parallel plane to the mounting surface, and perpendicular to the center line of the mounting holes, as contrasted with various types of flange blocks or flange units. A pillow block may contain a bearing with one of several types of rolling elements, including ball, cylindrical roller, spherical roller, tapered roller, or metallic or synthetic bushing.[1] The type of rolling element defines the type of pillow block. These differ from "plummer blocks" which are bearing housings supplied without any bearings and are usually meant for higher load ratings and a separately installed bearing.[1] Plummer block bearings are designed for more corrosive environments.[1] The fundamental application of both types is the same, which is to mount a bearing safely enabling its outer ring to be stationary while allowing rotation of the inner ring. The housing is bolted to a foundation through the holes in the base. Bearing housings may be either split type or solid type.[1] Split type housings are usually two-piece housings where the cap and base may be detached.[1] While solid are single-piece housings.[1] Various sealing arrangements may be provided to prevent dust and other contaminants from entering the housing. Thus the housing provides a clean environment for the environmentally sensitive bearing to rotate free from contaminants while also retaining lubrication, either oil or grease, hence increasing its performance and duty cycle. Bearing housings are usually made of grey cast iron.[1] However, various grades of metals can be used to manufacture the same, including ductile iron, steel, stainless steel, and various types of thermoplastics and polyethylene-based plastics. The bearing element may be manufactured from 52100 chromium steel alloy (the most common), stainless steel, plastic, or bushing materials such as SAE660 cast bronze, or SAE841 oil impregnated sintered bronze, or synthetic materials. ISO 113 specifies internationally accepted dimensions for plummer blocks.[3] See also Bearing surface Plain bearing References Wikimedia Commons has media related to Pillow blocks. ^ a b c d e f g h i j TL Prabhu (2019-11-12). Principles of MECHANICAL ENGINEERING: Vital Concepts of Mechanical Engineering. Nestfame Creations Pvt. Ltd. Retrieved 2020-09-19. ^ a b Renner, Barbara. Hands On Water and Wastewater Equipment Maintenance. CRC Press. pp. 40-43. ISBN 978-1-56676-428-5. Retrieved 2019-09-19. ^ Childs, Peter R. N. Mechanical Design Engineering Handbook. Butterworth-Heinemann. ISBN 978-0-08-098283-0. Retrieved from " JANGAN LEWATKAN Ada yang mengatakan, minum air putih adalah kunci kesehatan optimal. Tidak hanya membuat tubuh tercukupi cairannya, minum air putih juga... Artis Nathalie Holscher tengah menghadapi proses perceraian dengan komedian Sule. Di tengah proses perceraian ini, Nathalie Holscher mengumumkan bahwa ia... Lirik menjadi salah satu komponen yang penting dan dapat menarik minat masyarakat dalam mendengarkan sebuah lagu. Lirik yang mudah dihafal... Nathalie Holscher melayangkan gubahan cerai terhadap Sule, hapus foto sang suami hingga ajukan dua tuntutan. Perceraian Nathalie Holscher dan Sule... Kementerian Perdagangan mengajak Warga Negara Indonesia untuk menjadi bagian dari Kementerian Perdagangan dalam menjalankan tugas serta fungsinya. Anda bisa mengikuti... Istilah Clayam Fashion Week kini tengah menjadi perbincangan masyarakat. Istilah itu dikaitkan dengan tren street fashion di kalangan remaja yang... Biologi adalah pengetahuan yang mempelajari tentang makhluk hidup, termasuk genetika, struktur organisme, perkembangan organisme, fisiologi, ekologi dan penerapan ilmu Biologi... Kasus baku tembak yang menewaskan Brigadir Nopryansah Yosua Hutabarat alias Brigadir Yosua di Kadiv Propam Poli Irjen Ferdy Sambo kini... Innalillahi wa innalilahi rojuin, aktor lawas ini memang telah lama meninggalkan kita semua. Namun kisah hidupnya masih terus terdengar sampai... Lirik menjadi salah satu komponen yang penting dan dapat menarik minat masyarakat dalam mendengarkan sebuah lagu. Lirik yang mudah dihafal...